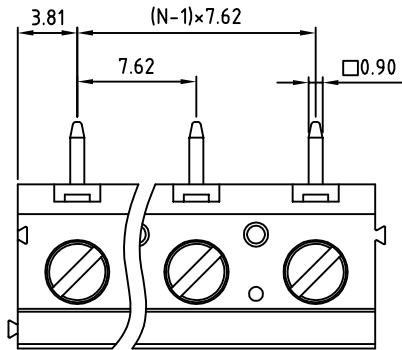


SIGN	DATE	DESCRIPTION	APPROVER
		<i>THIS IS CAD DRAWING, DO NOT REVISE MANUALLY!!!</i>	



Material

- Terminal body
- (metal housing): Brass(CuZn)
- Terminal screw: Steel Zinc plating "-" slot type
- Contacts: Brass
- Surface of solder tail: Tin plated
- Insulator (housing): Thermoplastic (UL94V-0)

Electrical

- Voltage rating: 300VAC
- Current rating: 20A
- Solid wire(AWG): 12-30
- Stranded wire(AWG): 12-30
- Torque(Lb-In): 3.5
- Screw: M3
- Wire strip length: 6-7mm
- Withstanding Voltage: 1.6KV
- Operating temperature: -30°C to +105°C
- Soldering temperature: 250°C±10°C/5 Sec
- Safety Approval: us

RoHS Compliant

PART NUMBER

OSTVJXX6150

No. of Poles

02 2 Poles

03 3 Poles

... ..

12 12 Poles

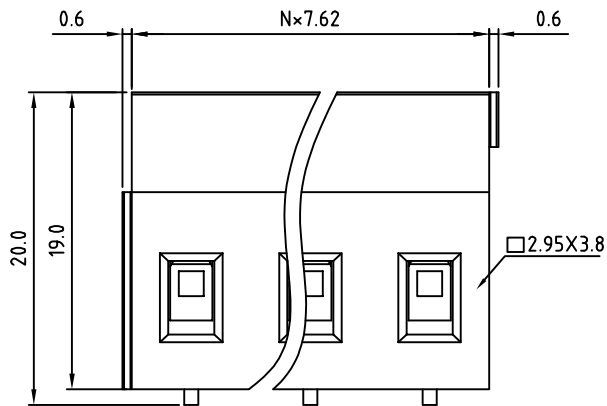
COLOR:

0: Black

5: Green (Standard)

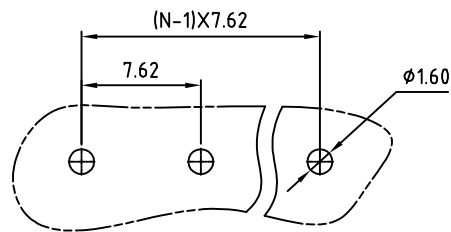
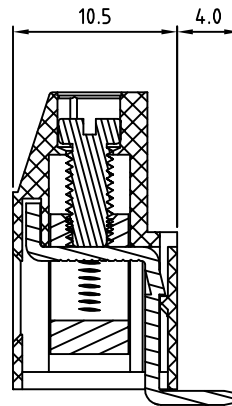
6: Blue

8: Grey



N=Number of poles

P.C.B LAYOUT



THESE DRAWINGS AND SPECIFICATIONS ARE THE PROPERTY OF ON-SHORE TECHNOLOGY, INC. AND SHALL NOT BE REPRODUCED, COPIED OR USED IN ANY MANNER WITHOUT THE PRIOR WRITTEN CONSENT OF ON-SHORE TECHNOLOGY, INC.



TITLE								OSTVJ-7.62mm series vertical (90D wire inlet)	
PART NO.		OSTVJXX6150		DWG NO.		OSTVJXX6150.DWG			
APPROVED		CHECKED	DESIGNED	DRAWN	CUST NO.		Tolerance		
Shi Jun		Marvin	Marvin	Marvin			UNIT: mm	X.	±0.50
2006.10.20		2006.10.20	2006.10.20	2006.10.20			SCALE: NONE	X.X	±0.30
				SHEET: 01/01		REV: D	X.XX	±0.10	
							X°	±1°	